



## Mod. **VIS-L**

Visibility Sensor for road monitoring

## Highlighted specs

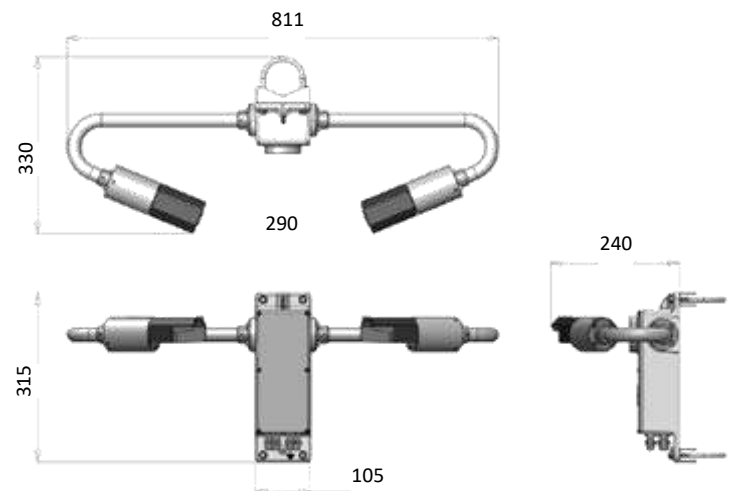
- Accurate and reliable visibility sensor
- Limited dimensions and weight
- “Forward scattered” measuring system
- Compact and light design in aluminium
- WMO standards compliant
- Average Accuracy  $\pm 10\%$
- Available with heating system
- According to **CE** norms

High-precision Biral professional sensor for measuring the visibility, range 10÷7.500m. The sensor is designed **according to WMO** (World Meteorological Organization) **standard** and is usually provided with **standard digital output RS485 or 4÷20mA on request**. This sensor is suitable for applications in various fields of environmental monitoring and is particularly indicated **road visibility monitoring**. Easy to install, it requires no periodic calibration and is protected from overvoltage and corrosion. The sensor is designed for pole mounting with two adjustable collars.

<b>Maximum range</b>	10 ÷ 7.500mt (other ranges on request)
<b>Resolution</b>	10mt
<b>Average Accuracy</b>	$\pm 10\%$
<b>Response time</b>	<10 s
<b>Type of transducer</b>	Forward scattered
<b>Signal output</b>	RS485 or 4÷20mA
<b>Working conditions</b>	-40°C ÷ +60°C (-50°C ÷ +60° heated option)
<b>Protections</b>	Polarity reverse and transient
<b>Made of</b>	Aluminium alloy, stainless steel screws
<b>Power supply and consumption</b>	10÷35Vdc, max 25W@24Vdc heated option
<b>Weight</b>	4,3 Kg

## Size and connections

Pin	Wire	VIS-L-B	VIS-L-C
1	White	Out (+)	RS485 A
2	Green	Out (-)	RS485 B
3	Grey and orange	GND	GND
4	Red	10÷35Vdc	10÷35Vdc
5	Red [0.75 mm <sup>2</sup> ]	Heating (+)	Heating (+)
6	Black [0.75mm <sup>2</sup> ]	Heating (-)	Heating (-)



Dimensioni in mm

## Order Code

Sensor	Biral Visibility Sensor	<b>VIS-L</b>		
	4÷20mA (specify range in the order)	B		
Output	RS485 / Modbus (specify range in the order)	C		
	CS05 – Cable 5m sensor-datalogger			05
Accessories	CS10 – Cable 10m sensor-datalogger			10
	CSxx – Cable xx* m length, sensor-datalogger – to be specified at order			xx
	RS232/485 digital interface for Nesa dataloggers			RS
	Heating (can be activated only on the transducer or even on the support arms, specify in the order)			R

\*specify the length for no standard measures

example of order code

**VIS-L B 10 R**