



Mod. **LR20**

Radar Level Sensor

Highlighted specs

- Programmable High accuracy Hydrometer and Snowmeter
- Available for different ranges: 15, 20, 35, 75mt
- Radar measure device in K-band
- Waterproof IP67/68 box for outdoor application
- Accuracy <0.05% of full scale value
- Can be installed tilted vertically
- Available with various signal output
- According to **CE** norms

The sensor for **water level measurement**, VEGAplus series, consists of a transducer for **microwave K-band** placed in a resin body **IP67/68 protection**.

It is an ideal sensor for all applications of water level measurement in open field or in stilling wells, thanks to the narrow beam of microwaves.

Accurate and reliable, it's maintenance-free.

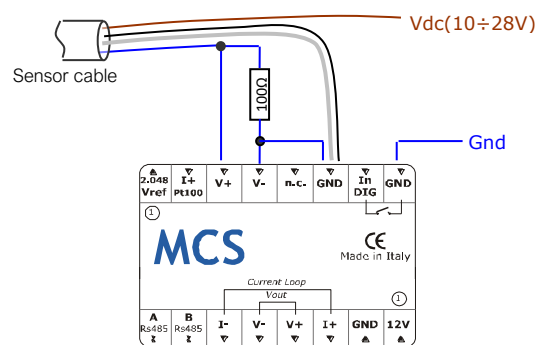
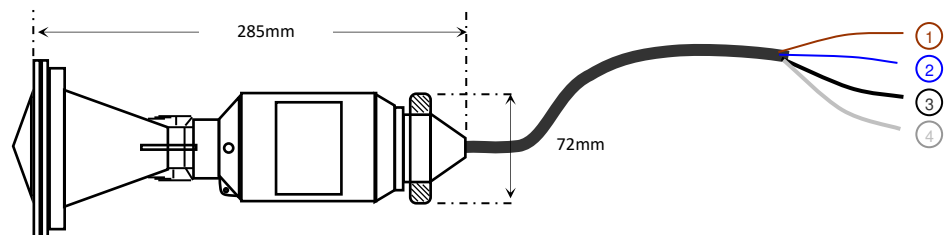
Available with standard **electrical output (voltage or current)** or **digital RS485 with ModBus** (MCS option).

Typical range	0÷20.000 mm (0÷15.000 or 0÷35.000mm or 0÷75.000mm on request)
Sensibility	1 mm
Accuracy	0.01% f.s. (±2mm)
Response time	< 1s
Type of transducer	K band radar (<25Ghz)
Beam Wide (typical)	5°
Signal output	4÷20mA or 0÷2Vdc or RS485 ModBus (MCS Option)
Power supply and consumption	Current loop or 10÷28 Vdc
Working conditions	-40 ÷ +80°C
Protections	Polarity reverse and transient
Box	Resin IP66 - IP68 (0.2bar)
Weight	<350g (LP20)

Size and connections

Pin	Wire	LR15-B	LR20-B
1	Brown	Out + (I+)	Out + (I+)
2	Blue	Out - (I-)	Out - (I-)
3	Black	Gnd	--
4	White	Shield	--

Output: B



Output: A, C

Order code

Sensor	Output	Accessories	Example
Radar level Sensor, specify your range (i.e. 20 means 20mt)	0÷2Vdc (MCS option) 4÷20mA RS485 / Modbus (MCS option)	CS05 – Cable 5m sensor - datalogger CS10 –Cable 10m sensor - datalogger CSxx – Cable xx* m length sensor - datalogger SSU – Sensors support L=750mm SS-P1 – Bridge support with joint	LR20 A B C 05 10 xx SSU SS-P1

*specify the length for no standard measures

example of order code **LR20 B 10 SSU**