

Mod. **S-GAS**

Sensors to measure specific gases

Highlighted specs

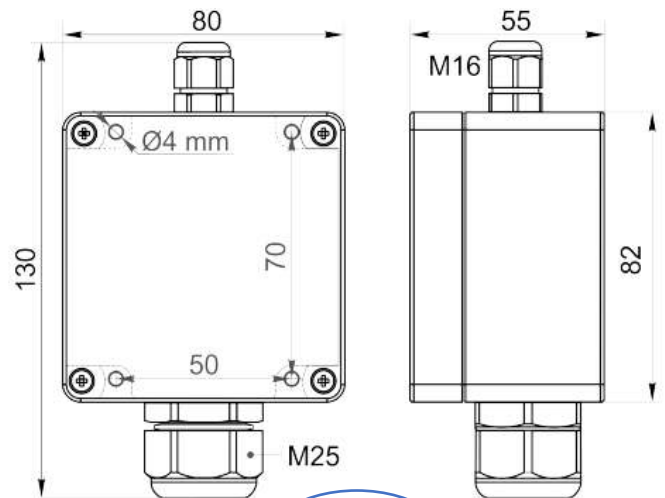
- Linear and reliable Sensor
- Electrochemical measuring system or **NDIR Measure (Non Dispersive Infrared Technology)**
- Housing for outdoor use in aluminium **IP65**
- Wide temperature operative range
- According to **CE** norms

Sensors for measuring the **concentration for specific gases**, for a wide range of applications, both industrial and environmental. **They are not gas analyzers**, they use an electrochemical measuring principle or infrared (depending on the gas), with which it is possible to convert the measurement of gas's concentration in measurable electrical signal. Specifically designed for **outdoor applications with IP65 enclosure**. The measurable gases: **NH3** (Ammonia), **CO2** (carbon dioxide), **CO** (Carbon Monoxide), **H2S** (Hydrogen Sulfide), **CH4** (methane), **NO2** (Nitrogen Dioxide), **O2** (Oxygen), **SO2** (sulfur Dioxide), different range available as indicated.

Gas	NH3	CO2	CO	H2S	CH4	NO2	O2	SO2
Range	0÷100 ppm 0÷1000 ppm	0÷10000 ppm 0÷40000 ppm	0÷300 ppm 0÷1000 ppm	0÷100 ppm 0÷2000 ppm	0÷100% LEL	0÷20 ppm 0÷200 ppm	0÷25% v/v	0÷50 ppm
Resolution	<2 ppm	1ppm (10K) 10ppm (40K)	<2ppm	< 0.1ppm (100) < 1ppm (2000)	<1% LEL	<0.1ppm (20) <1ppm (200)	<0.01 v/v	<0,1 ppm
Response Time (s)	<70	<60	<30	<30	<10	<40	<10	<35
Life time (months)	>24	>60	>120	>24	>60	>12	>24	>24
Ovel limit	200 ppm 1500 ppm	---	2000 ppm	500 ppm 4000 ppm	---	100 ppm 1000 ppm	30% v/v	100 ppm
Operative Range (°C)	-40 ÷ 50°C	-40 ÷ 50°C	-20 ÷ 50°C	-30 ÷ 50°C	-40 ÷ 70°C	-30 ÷ 50°C	-30 ÷ 50°C	-30 ÷ 50°C
Recalibration each	6-12 months	automatic	12 months	6-12 months	6-12 months	6-12 months	6-12 months	6-12 months
Humidity	15...90 %RH no condensation							
Signal output	4÷20mA / 0÷10Vdc & ModBus RS485							
Power Supply	11...30 Vdc, power consumption < 2VA							
Enclosure	IP65 (Enclosure in ABS), IP54 (Metal Enclosure)							
Weight	230g							

Size and connections

Pin	Wire	S-GAS-A	S-GAS-B*
1	Yellow	--	--
2	White	Out 0-10V	Out 4-20mA
3	Green	Gnd signal	Gnd signal
4	Grey/Orange	Gnd	Gnd
5	Red	+ 12/24Vdc	+ 12/24Vdc
6	Blue	RS485 A	RS485 A
7	Brown	RS485 B	RS485 B



* Default analogue output: 4-20mA; to select the voltage output, remove jumper J1

Order Code

Sensor	NH3 (Ammonia) Sensor – specify range chosen	S-NH3	A= 4-20mA B= 0-10Vdc	
	CO2 (Carbon Dioxide) Sensor – specify range chosen	S-CO2		
	CO (Carbon Monoxide) Sensor – specify range chosen	S-CO		
	H2S (Hydrogen Sulfide) Sensor – specify range chosen	S-H2S		
	CH4 (Methane) Sensor	S-CH4		
	NO2 (Nitrogen Dioxide) Sensor – specify range chosen	S-NO2		
	O2 (Oxygen) Sensor	S-O2		
SO2 (Sulfur Dioxide) Sensor	S-SO2			
Accessories	CS05 – Cable 5m sensor-datalogger			05
	CS10 – Cable 10m sensor-datalogger			10
	CSxx – Cable xx* m length, sensor-datalogger – to be specified at order			xx

*specify the length for no standard measures

example of order code

S-CH4

B

10