



Mod. **ANESR**

Biaxial Ultrasonic Anemometer

Medium wind speed range

Highlighted specs

- No moving part, reduced maintenance and service costs
- Strong and reliable structure, suitable for continuous operation even in hard environmental conditions
- Low power consumption
- Good accuracy on measures
- Reliability and precision on whole measuring range, no additional calibration required
- According to **CE** and EN 15518-3:2011 norms

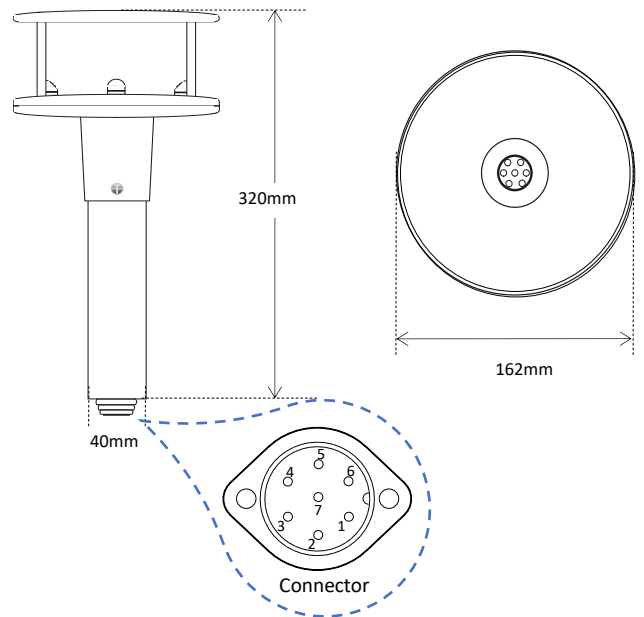
The **ultrasonic sensor ANESR** is a biaxial anemometer for measuring **wind speed and wind direction**, capable of detecting the wind characteristics along two orthogonal axes X, Y, on the horizontal plane and their resulting cartesian vector. Very robust body in resin and anodized aluminum alloy for outdoor use. **Linear, good accuracy** and **extremely reliable** in all conditions with high dynamic response. The easy use and installation, makes it an effective instrument in environmental monitoring applications, where for various reasons, the regular maintenance of equipment can't be easily done, such as for mechanical anemometers.

Typical range	Speed: 0 ÷ 50 m/s	Direction: 0 ÷ 359°
Resolution	Speed: <0.1 m/s	Direction: 0.1°
Accuracy	Speed: ± 3%	Direction: ± 2°
Anemometric parameters	Wind speed and direction, U-V Components – Automatic compass for magnetic North	
Type of transducer	4 ultrasonic cells	
Signal output	2 x 4÷20mA, RS485/Modbus	
Working conditions	-20 ÷ +60°C	
Protection	Polarity reverse and transient –IP66	
Made of	Aluminum alloy and thermoplastic resin	
Power supply and consumption	10÷30Vdc; <1W (typically 30mA @ 15Vdc); max 10W heated version	
Weight	1 Kg	

Size and connections

Pin	ANESR-B	ANESR-C
1	+Out WS	--
2	+Out WD	RS485/Mdb WS
3	GND Signal	RS485/Mdb WD
4	GND Supply	GND Supply
5	Vdc supply (10÷30V)	Vdc supply (10÷30V)

*Heated version only



Order Code

Sensor	Biaxial Ultrasonic Anemometer	ANESR		
Output	4÷20mA RS485 / Modbus		B C	
Accessories	CS05 – Cable 5m sensor-datalogger			05
	CS10 – Cable 10m sensor-datalogger			10
	CSxx – Cable xx* m length, sensor-datalogger – to be specified at order			xx
	SSU – Support L = 700-750mm for fixing sensor ø40mm and clamping jaw to poles ø max 60mm			SSU

*specify the length for no standard measures

example of order code

ANESR B 10 SSU