



Mod. **TA/TAV**

Air Temperature Sensor

Highlighted specs

- Accurate and reliable Air Temperature Sensor
- Measure with Platinum resistance Pt100 1/3 DIN
- Compact and light design in aluminium
- WMO standards and EN 15518-3:2011 compliant
- Accuracy $\leq |0,1|^\circ\text{C}$
- Available with forced ventilation
- According to **CE** norms

RTD sensing element **1/3DIN Pt100**, with four-wire connection, Pt100 output or electrical signal in current or voltage (4 to 20mA or 0 ÷ 2Vdc), or in digital output on RS485/Modbus.

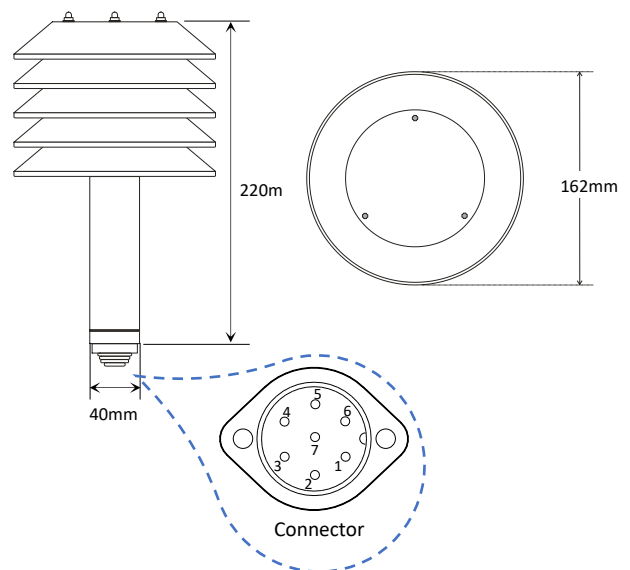
The sensing element is protected by a series of screens against direct sunlight and UV radiations, to guarantee a natural ventilation. Its particular white reflective colour, cancels the warming effect induced on the sensing element, ensuring maximum accuracy. The sensor is manufactured **according to WMO** (World Meteorological Organization) standards and it's also available in the **forced ventilation** version (code. TAV).

Typical range	-40 ÷ +60°C (other ranges available)
Resolution	0.01°C
Accuracy	DIN 43760 1/3 DIN ($\pm 0.1^\circ\text{C}$ @ 0°C) ACCREDIA certificate available
Response time	<10s
Type of transducer	Platinum resistance 1/3 DIN
Ventilation	Natural (cod. TA) Forced (cod. TAV)
Signal output	Pt100 1/3DIN resistance (100Ω @ 0°C), 0÷2Vdc, 4÷20mA Digital RS485 / ModBus
Working conditions	-60°C ÷ +80°C
Protections	Polarity reverse and transient
Made of	Aluminium alloy, stainless steel screws
Power supply and consumption	10÷30Vdc, (typ.<0.1W, max 2W@12Vdc mod. TAV – forced ventilation)
Weight	700g

Size and connections

Pin	TA-A	TA-B	TA-C	TA-N
1	--	--	--	Pt100
2	Out +	Out +	RS485 A	Pt100
3	Out -	Out -	RS485 B	Pt100
4	Gnd	Gnd	Gnd	Pt100
5	Vdc:10÷28V	Vdc:10÷28V	12 Vdc	
6	+ 12V Fan*	+ 12V Fan*	+ 12V Fan*	+ 12V Fan*
7	Gnd Fan*	Gnd Fan*	Gnd Fan*	Gnd Fan*

*TAV only



Order Code

Sensor	Natural ventilation Air Temperature Sensor Forced ventilation air temperature sensor	TA TAV			
Output	0÷2Vdc 4÷20mA RS485 / Modbus Natural (Pt100)		A B C N		
Accessories	CS05 – Cable 5m sensor-datalogger CS10 – Cable 10m sensor-datalogger CSxx – Cable xx* m length, sensor-datalogger – to be specified at order SSU – Sensor support L=700-750mm			05 10 xx	SSU

*specify the length for no standard measures

example of order code

TA C 10 SSU