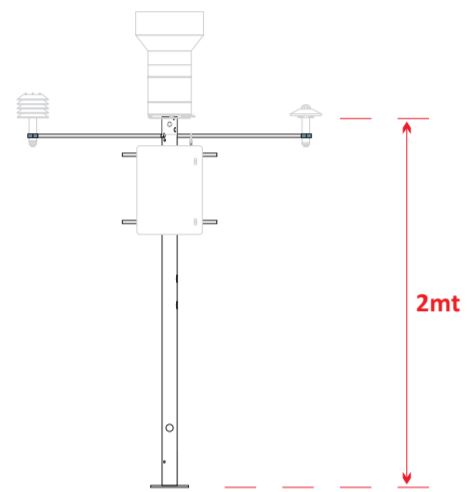
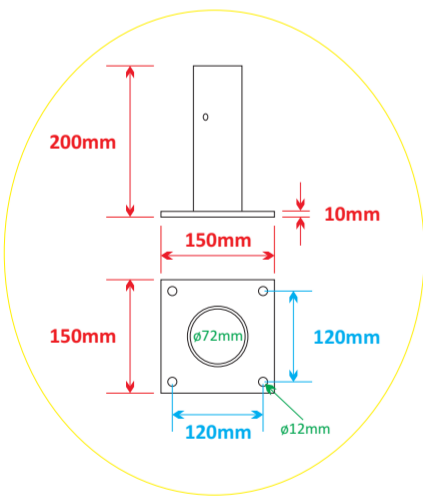
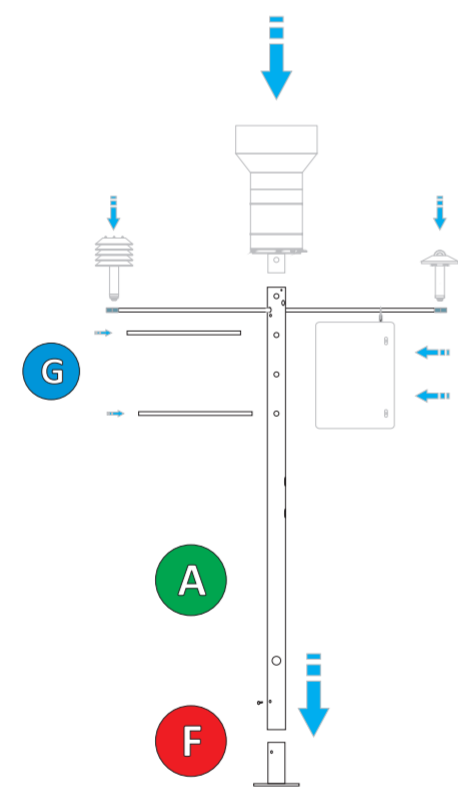


PAL 2A

Composition for weather aluminum pole h = 2m
 Composizione palo meteo Alluminio h = 2mt

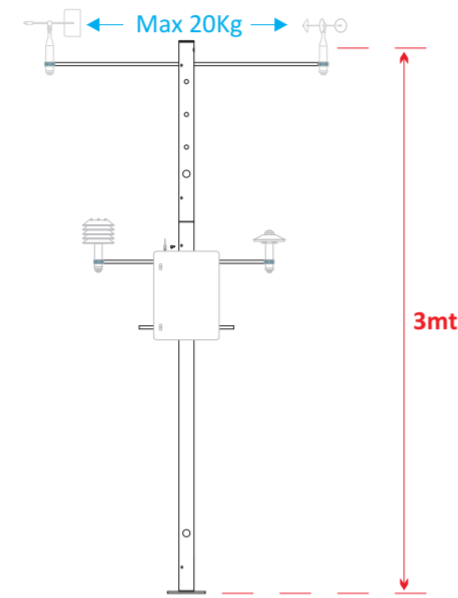


Weight 9Kg
 Peso 9Kg

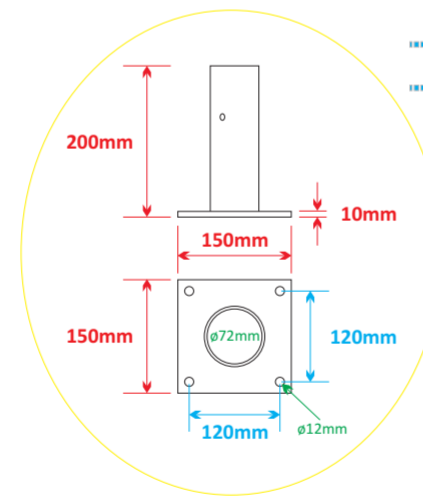
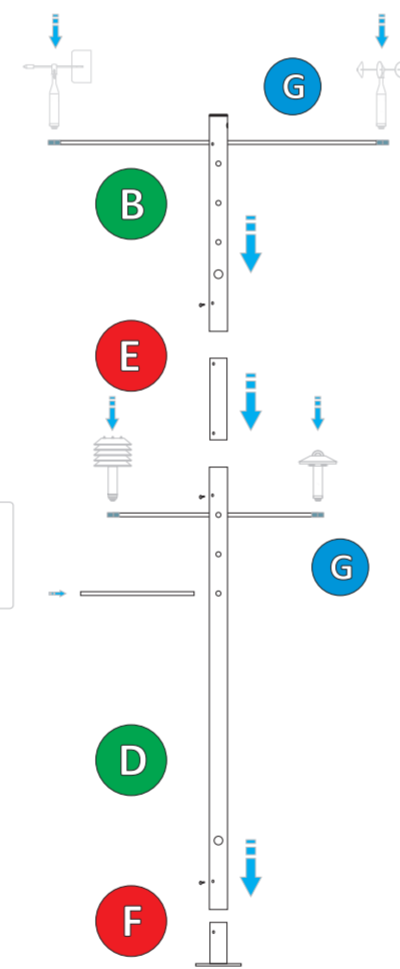


PAL 3A

Composition for weather aluminum pole h = 3m
 Composizione palo meteo Alluminio h = 3mt

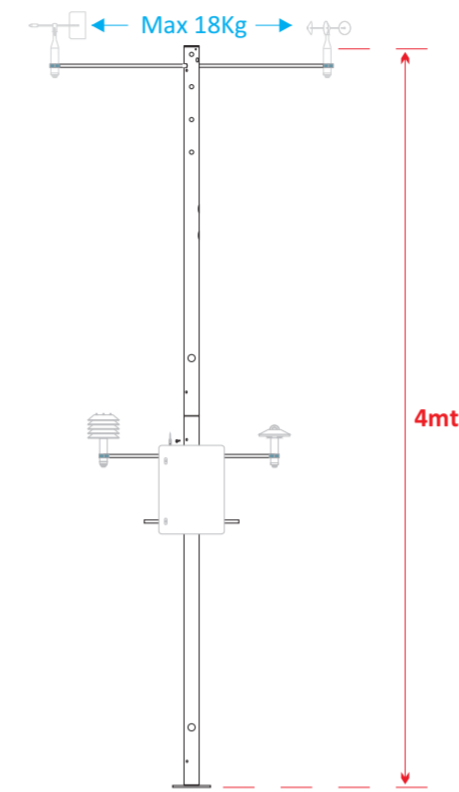


Weight 11Kg
 Peso 11Kg

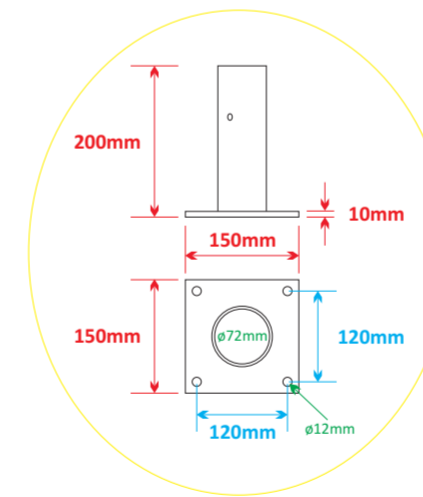
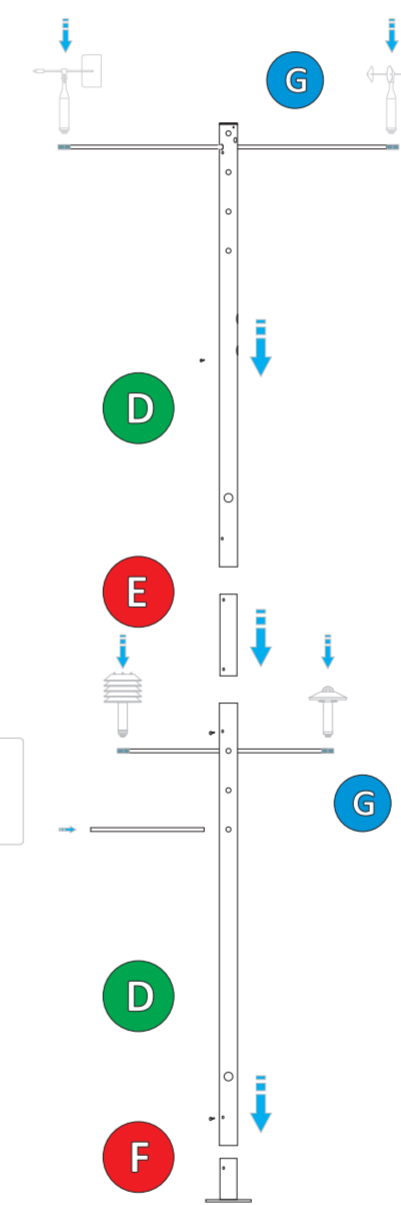


PAL 4A

Composition for weather aluminum pole h = 4m
 Composizione palo meteo Alluminio h = 4mt

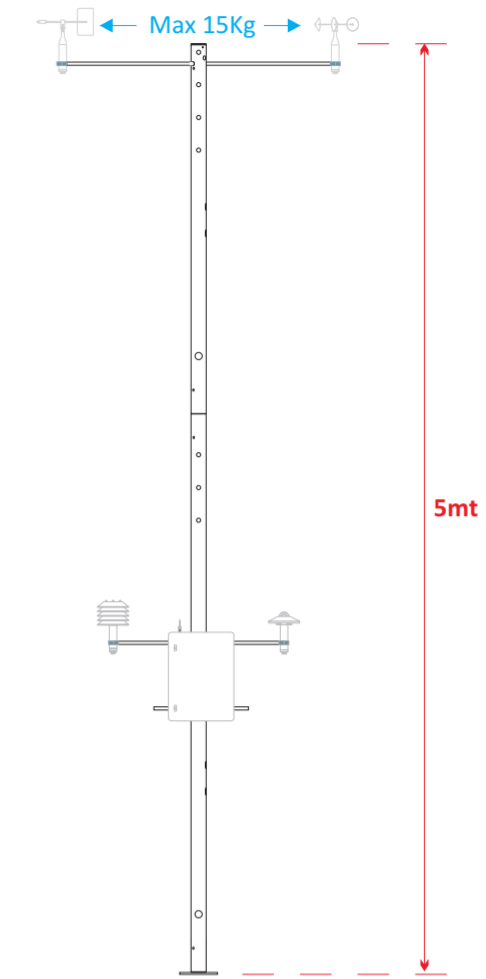


Weight 15Kg
 Peso 15Kg

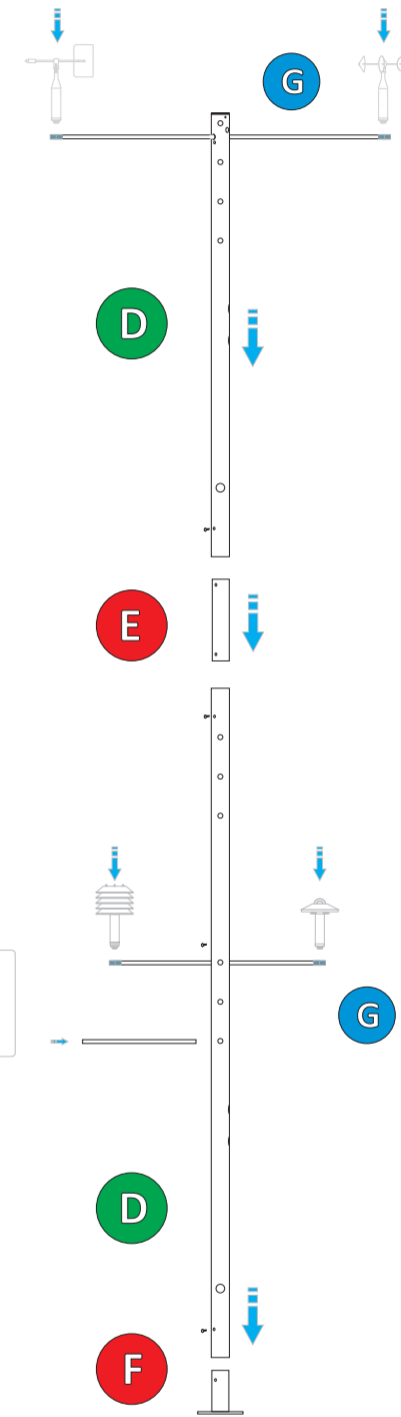


PAL 5A

Composition for weather aluminum pole h = 5m
 Composizione palo meteo Alluminio h = 5mt



Weight 18Kg
 Peso 18Kg



A Primary pole $\varnothing 80\text{mm} \times 2\text{m}$ (Elemento Base da $\varnothing 80\text{mm} \times 2\text{m}$)

B Extension pole $\varnothing 80\text{mm} \times 1\text{m}$ (Elemento prolunga da $\varnothing 80\text{mm} \times 1\text{m}$)

G Arms support sensors 50, 90, 150cm
 (Supporti da 50, 90, 150cm)

C Extension pole $\varnothing 80\text{mm} \times 3\text{m}$ (Elemento prolunga da $\varnothing 80\text{mm} \times 3\text{m}$)

D Extension pole $\varnothing 80\text{mm} \times 2\text{m}$ (Elemento prolunga da $\varnothing 80\text{mm} \times 2\text{m}$)

E Joint $\varnothing 75\text{mm} \times 30\text{cm}$ (Giunto da $\varnothing 70\text{mm} \times 30\text{cm}$)

F Base plate 15x15cm (Piastra base 15x15cm)

Aluminum poles

Pali in Alluminio

 Sistemi di monitoraggio ambientale	Code	Rev.	Date
	PAL2A - PAL3A PAL4A - PAL5A	2.0	10 August 2011
NESASrl - Via Sartori 6/8 - 31020 Vidor TV - Italy Tel. +39.0423.985209 www.nesasrl.it			