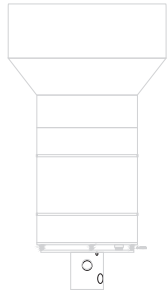
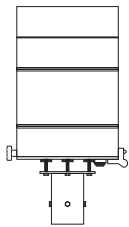


PL 1000
model



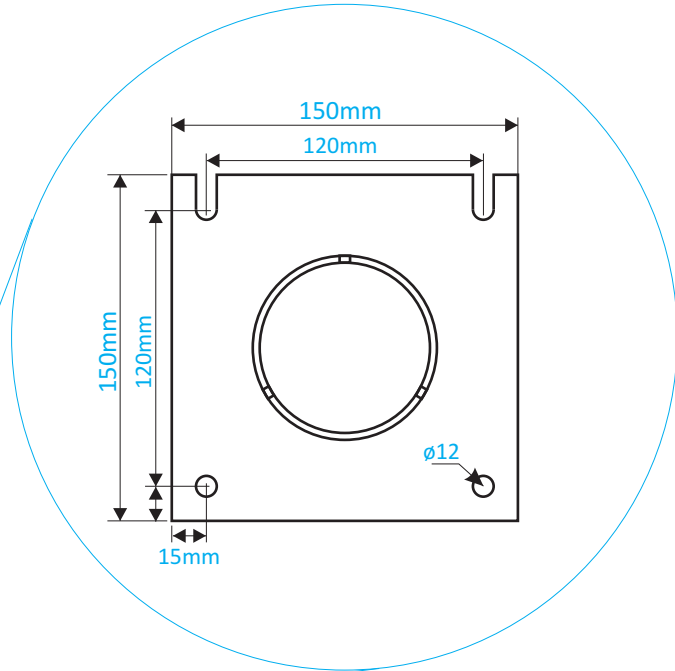
PL 400
model



1mt

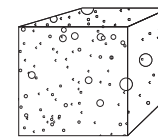
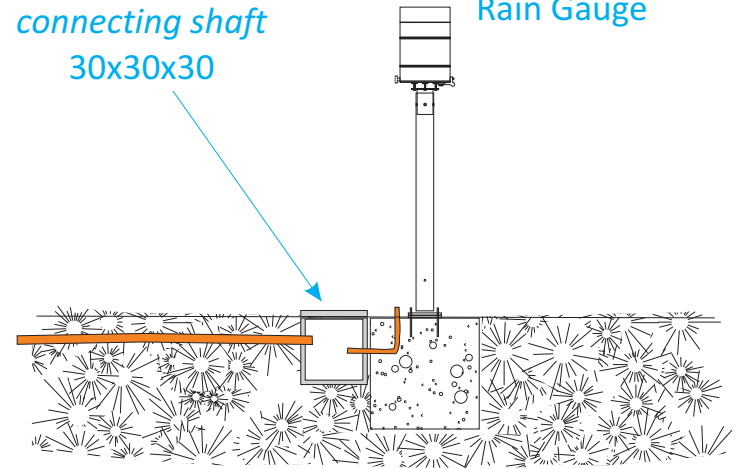
SPL1
pole $\phi 80$ mm

Weight 4,5Kg
Peso 4,5Kg

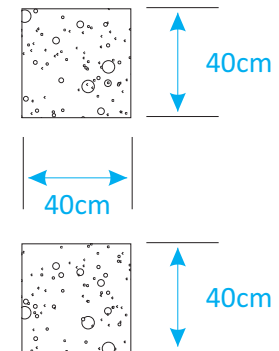


Pozzetto di collegamento
connecting shaft
30x30x30

Rain Gauge



Plinto il CLS
Concrete basement



Designed by:	Name:	Date:	Approved:	Sheet:
NESA Srl Environmental Monitoring Systems	SPL1	11-11-14		1/1