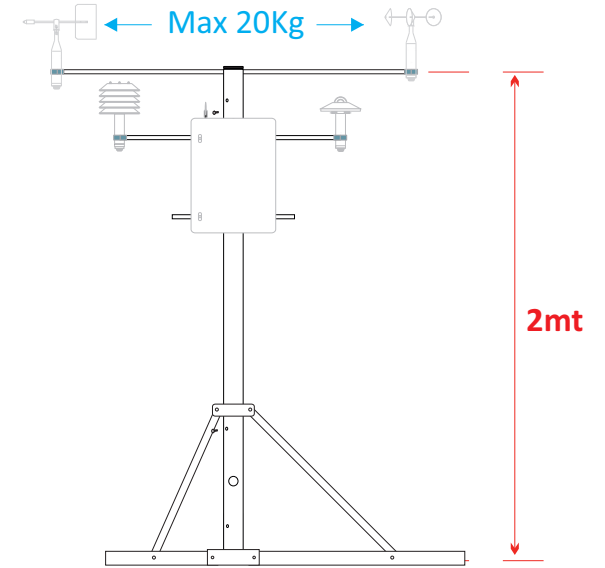
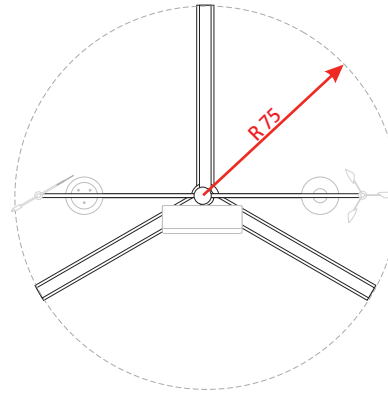
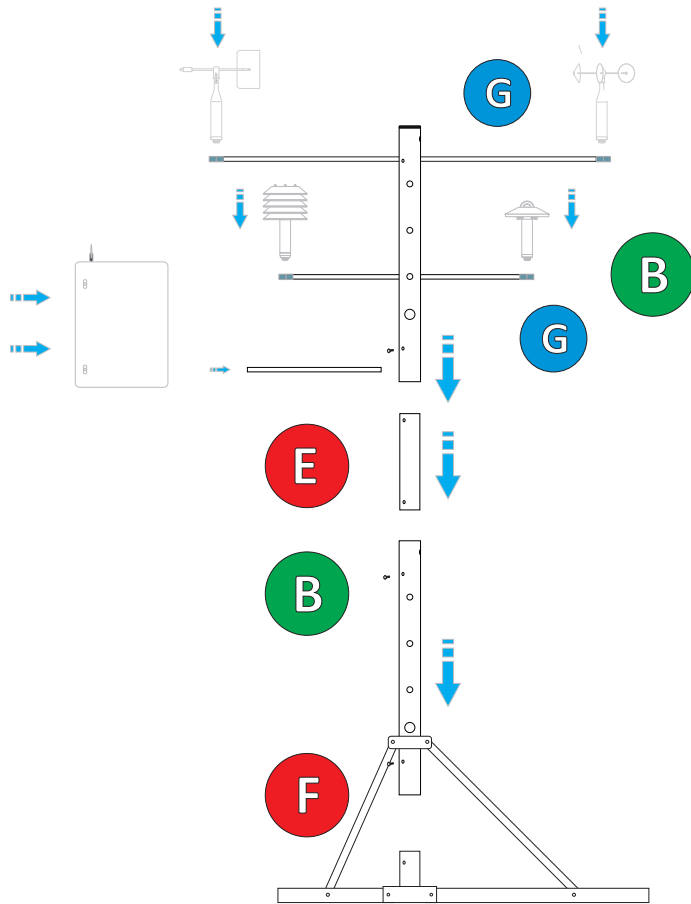


PAL 2A - TRP

Composition for weather aluminum pole h = 2m
Composizione palo meteo Alluminio h = 2mt



Weight 14Kg
Peso 14Kg

A Primary pole $\varnothing 80\text{mm} \times 2\text{m}$ (Elemento Base da $\varnothing 80\text{mm} \times 2\text{mt}$)

B Extension pole $\varnothing 80\text{mm} \times 1\text{m}$ (Elemento prolunga da $\varnothing 80\text{mm} \times 1\text{mt}$)

G Arms support sensors 50, 90, 150cm
 (Supporti da 50, 90, 150cm)

C Extension pole $\varnothing 80\text{mm} \times 3\text{m}$ (Elemento prolunga da $\varnothing 80\text{mm} \times 3\text{mt}$)

D Extension pole $\varnothing 80\text{mm} \times 2\text{m}$ (Elemento prolunga da $\varnothing 80\text{mm} \times 2\text{mt}$)

E Joint $\varnothing 75\text{mm} \times 30\text{cm}$ (Giunto da $\varnothing 70\text{mm} \times 30\text{cm}$)

F Tripod $\varnothing \sim 150\text{cm}$ (Treppiede $\varnothing \sim 150\text{cm}$)

Tripod for 2m Aluminum Pole

	Code	Rev.	Date
	PAL2A -TRP	2.0	10 August 2011
NESASrl - Via Sartori 6/8 - 31020 Vidor TV - Italy Tel. +39.0423.985209 www.nesasrl.it			